

SPECIFICATIONS:

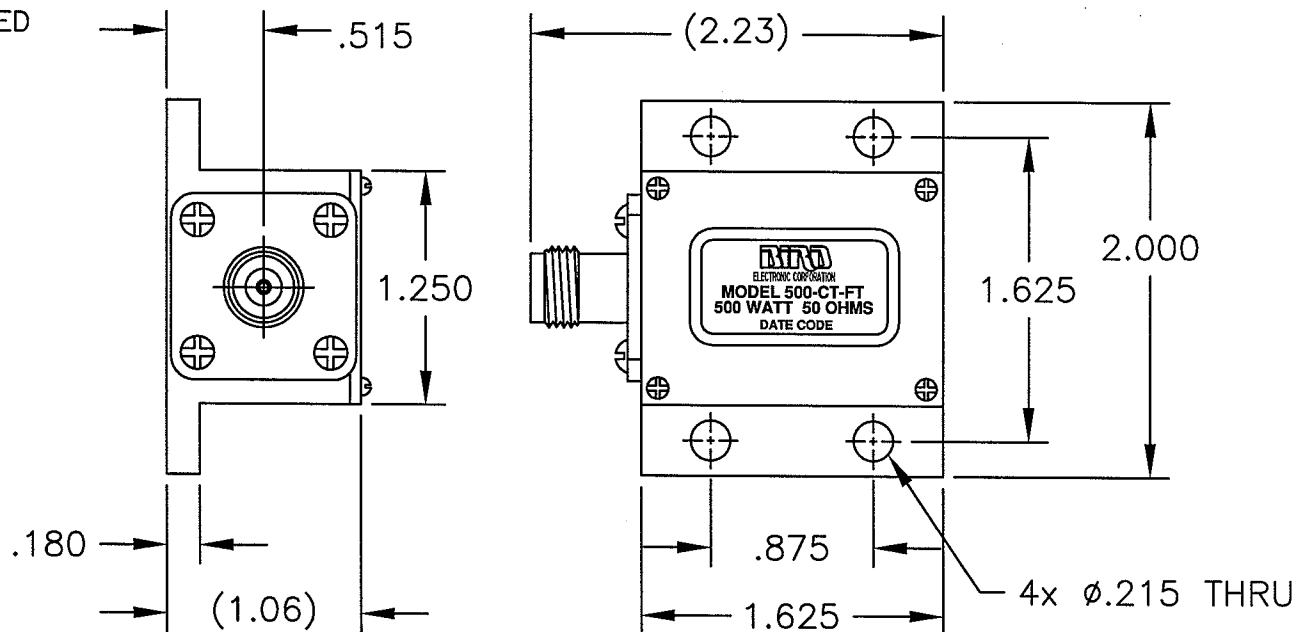
POWER: 500 W AVG. – 2KW PEAK
 – WHEN MOUNTED TO A HEAT SINK
 CAPABLE OF MAINTAINING A CASE
 TEMPERATURE AT OR BELOW 100°C

FREQUENCY RANGE AND VSWR:
 DC TO 1GHz AT 1.15:1 MAX.
 1GHz TO 3GHz AT 1.30:1 MAX.

CONNECTOR: TNC FEMALE

FINISH: BODY–SILVER OR TRI–ALLOY PLATED
 CONNECTOR – TRI–ALLOY PLATED

REVISIONS		DWG. NO.	500-CT-FT	SHEET	REV
ZONE	REV	DESCRIPTION	DATE	1	A
	A	NEW DRAWING RELEASE PER DMD	3-31-03	<i>MAR</i>	



UNLESS OTHERWISE SPECIFIED
 DIMENSIONS ARE IN INCHES
 TOLERANCES ARE:

FRACTIONS	DECIMALS	ANGLES
± 1/64	.XX = ±.010 .XXX = ±.005	± 30'

DO NOT SCALE DRAWING

MILLIMETERS
 .X = ±.4
 .XX = ±.12

THIS DRAWING IS THE PROPERTY OF THE BIRD ELECTRONIC CORPORATION. THE DESIGNS AND SPECIFICATIONS DISCLOSED HEREON ARE PROPRIETARY AND SHALL NOT BE REPRODUCED, NOR COPIED, NOR USED AS THE BASIS FOR THE MANUFACTURE OR SALE OF APPARATUS OR DEVICES WITHOUT THEIR EXPRESS WRITTEN CONSENT.



BIRD Electronic Corporation
 Cleveland (Solon) Ohio USA

MATERIAL	APPROVALS		DATE	TITLE				
	DRAWN	D.M.RINK	3-31-03	TERMINATION, CONDUCTION COOLED TNC FEMALE, 500W				
FINISH	CHECKED			SIZE	FSCM NO.	DWG. NO.	REV	
	APPROVED	<i>MAR</i>	6-19-03	A	70998	500-CT-FT	A	
			AUTOCAD	SCALE	1:1	COMM CODE	LD1	SHEET